

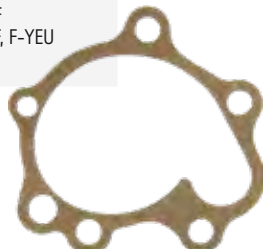


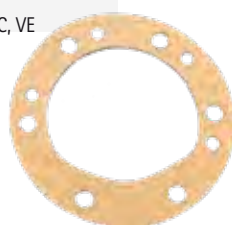






JUNTAS DE LA BOMBA		GASKETS PUMP	GUARNIZIONE POMPE ACQUA	JOINTS POMPE D'EAU	
REF	OEM		REF	OEM	
REC121000-42052	121000-42052 121000-42051 121000-42050	1GM, L, Y-C 1GM10 2GM20, F, -YEU, F-YEU 2GMLP 3GM, D, F 3GM30, F, F-YEU 3HM, F 3HM35	REC129150-01881	129150-01881	3JH2, -TCE, E 3JH25A 3JH3, E-YEU-E 3JH4E 3JH5AE, E 4JH, -DTE, -HTZ, -HTZA, -TZ, -TE
					

JUNTAS TAPA DE LA BOMBA		PUMPS COVER GASKET	GUARNIZIONE COPERCHIO POMPE ACQUA	JOINTS COUVERCLE POMPE D'EAU	
REF	OEM		REF	OEM	
REC128170-42090	128170-42090	1GM 1GM10, -B, C, L, VE	REC124223-42110	124223-42110	2GMF 2GM20F, FVE 3GMF 3GM30F, FVE 3HM, F 3HM35, C, F
					

REF	OEM	
REC104211-42090	104211-42090	2GM, F 2GM20, B, C, VE 3GM 3GMD 3GM30, B, C, VE
		

REF	OEM	
RECX02173476	X02173476 X0506597	2YM15 3YM20, 30, 27A, 30R, 30AE
		

REF	OEM	
REC119773-42570	119773-42570	4JH110, 57, 45, 80 3JH40
		

REF	OEM	
REC24341-000600	24341-000600	3JH30A 4JHZ, -DTZY, -TZ2, 2-DTZ, 3-DTZ, DTZ, TZA, -TZ1, 3-DTZAY, JH2
		

CORREA BOMBA		PUMPS BELT	CINGHIE POMPA	COURROIE POMPE
REF	OEM			
REC104511-78780E	104511-78780E	2GM20, F, F-YEU, -YEU 3GM30, F, F-YEU 3HM, F 3HM35		